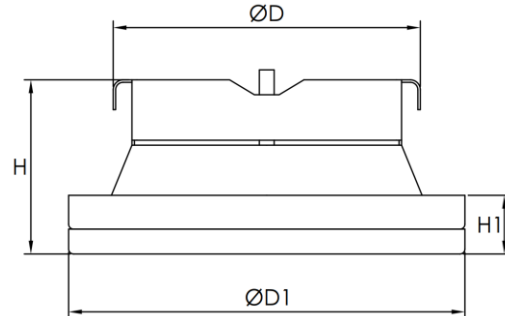


Metal supply diffuser DMKP



Description

Metal diffuser for supply ventilation with low noise levels and new, elegant design

Technical data

Construction	Made of galvanized steel or other metals Adjustable air flow Gasket for better airtightness Polymer coated
Installation	Wall or ceiling mounting with all types of circular ducts
Colors	White, anthracite

Dimensions

Type	ØD [mm]	ØD1 [mm]	H [mm]	H1 [mm]	m [kg]
DMKP80	79	107	70	25	0,23
DMKP100	99	135	70	25	0,29
DMKP125	124	160	70	25	0,36
DMKP160	159	195	74	25	0,50
DMKP200	199	230	78	25	0,65

Modifications

DMKPxxx - white RAL9016 polymer coating
DMKPxxxA – anthracite color polymer coating

Technical specifications

